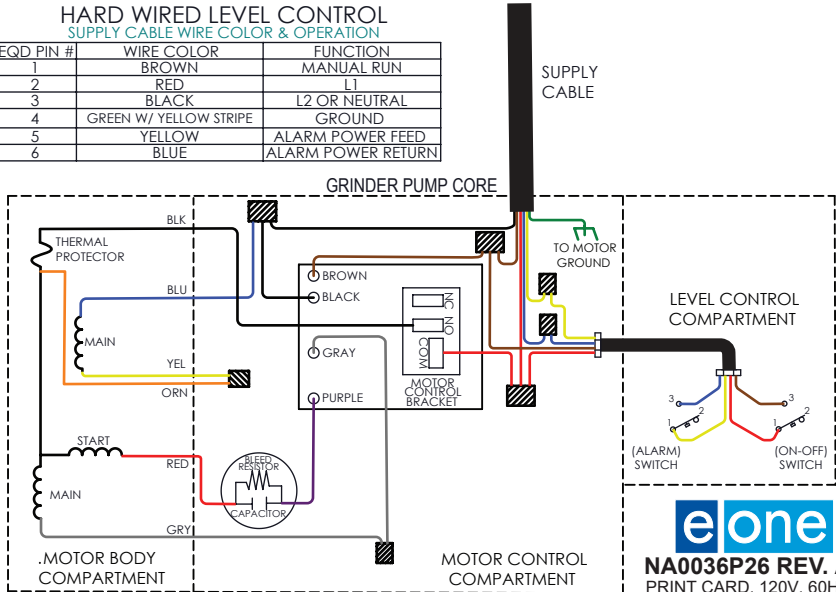


HARD WIRED LEVEL CONTROL

SUPPLY CABLE WIRE COLOR & OPERATION

EQD PIN #	WIRE COLOR	FUNCTION
1	BROWN	MANUAL RUN
2	RED	L1
3	BLACK	L2 OR NEUTRAL
4	GREEN W/ YELLOW STRIPE	GROUND
5	YELLOW	ALARM POWER FEED
6	BLUE	ALARM POWER RETURN



eone

NA0036P26 REV. A
PRINT CARD, 120V, 60HZ